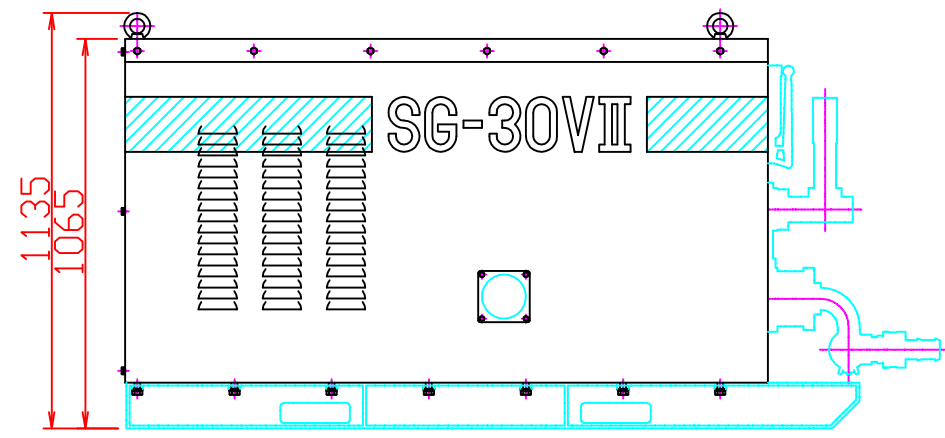
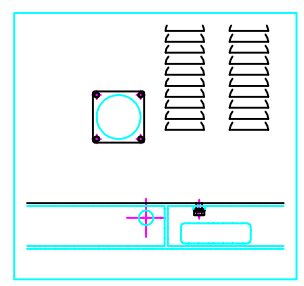
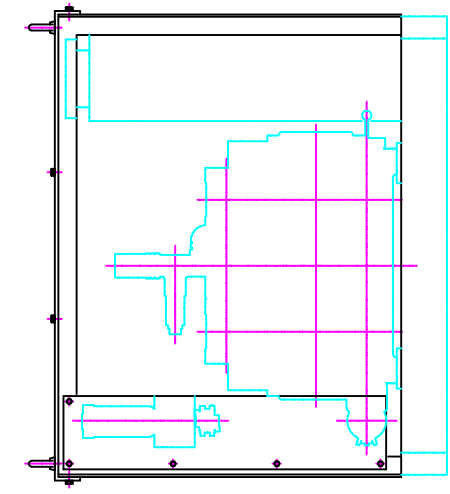
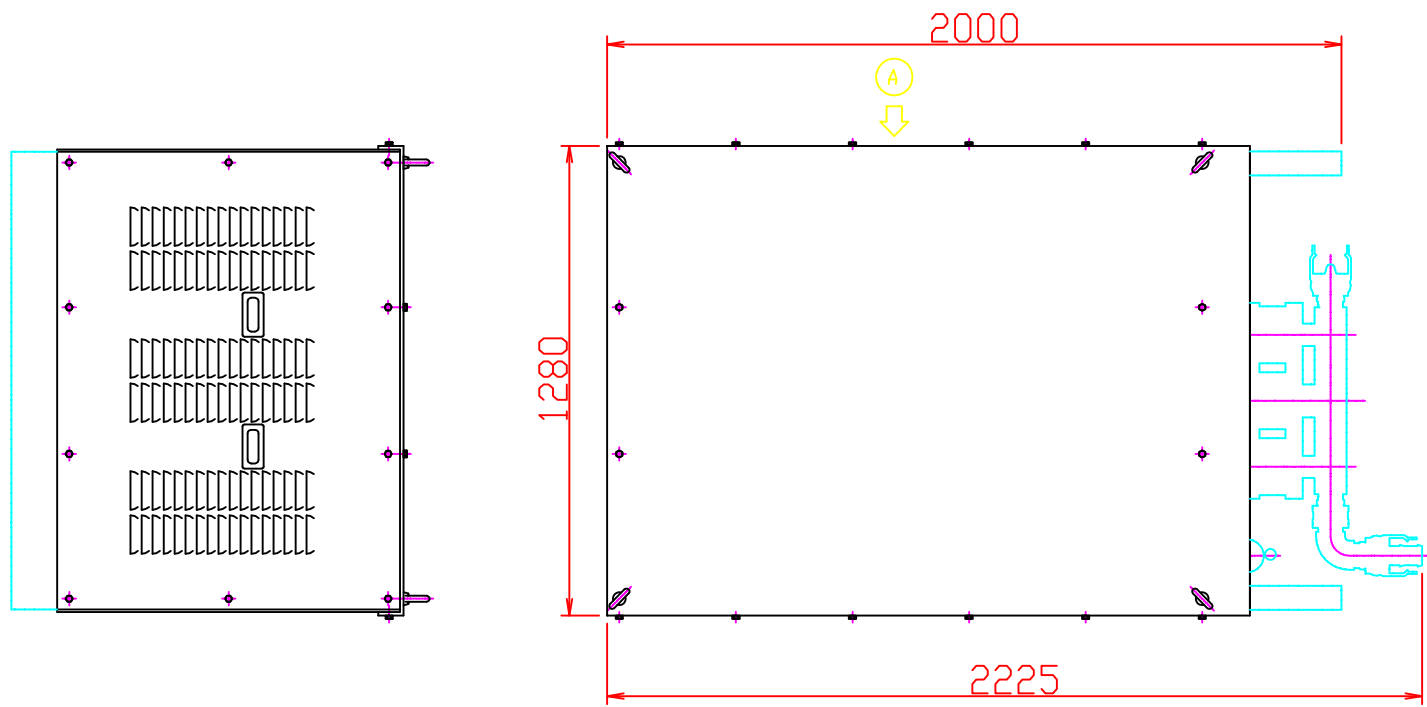



REVISION				
SYM.	DESCRIPTION	ZONE	DATE	APPROVED



SYM.	NAME	MATERIAL	QTY.	WEIGHT	PRIMARY DWG. NO.	MAT. SIZE
DATE ON	SCALE 1:10	3RD. ANGLE PR.J.	HEAT TREATMENT			
DRAWN BY	MASTER	NAME				
DESIGNED BY	MODEL					
CHK. BY						
APPROVED BY						
MODEL	DWG. NO.	QTY.	 株式会社ワイビーエム			

MODEL	DWG. NO.	QTY.